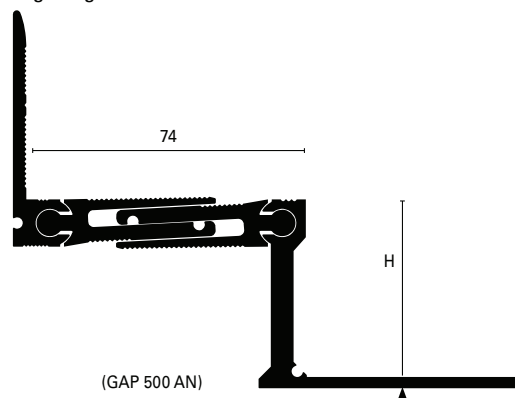




# jointec™ GAP

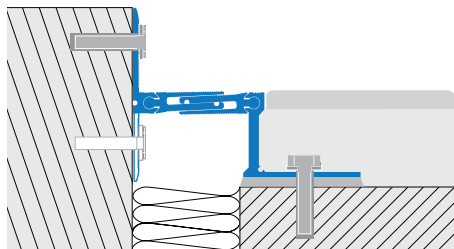
Sliding structural expansion joint entirely realised in aluminium. Designed to bear structural movements of large sized buildings or compounds of buildings. To be installed between floor and wall. They are installed over the spaces existing between two semidetached parts of a building of smaller entity or between different beam bays. They can connect and close these inter-spaces adjusting themselves up-wards, downwards and even transversally, according to the shrinkage-settlement movements of the whole building, either cyclic or permanent. It can be also used putting the fixing flange on the wall downwards.



The horizontal sliding components allow the movement and avoid dust and dirt accumulation. Within the flooring bays frame created with the structural joints, a further surface subdivision with a suitable pattern of movement / expansion joints should be always provided for. See relevant indications on page 263

#### INSTALLATION:

- Assemble the joint inserting the two horizontal components within the two lateral flanges
- Align properly the expansion joint
- Fasten the lateral flanges into the substrate with suitable fixing plugs (7 each linear meter, i.e. one every 30 cm, proceeding parallel on the two sides).
- Lay then the screed over the structural joint flanges and tile as normal.



#### JOINTEC GAP-AN Aluminium width 74 mm - gap 64 mm

Extruded aluminium profile. Good mechanical and chemical resistance over time. For outdoor utilization the similar joint type Jointec GM in brass is advisable. Installation between floor and wall.



	H=mm	L=mm	Art.		
Material: Aluminium extruded	20	74	GAP	200	AN
	50	74	GAP	500	AN
	70	74	GAP	700	AN
Finish: Natural (AN)					
Length: 4,00 metres					