

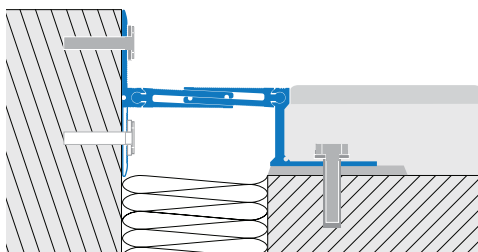


jointec™ GALP

The horizontal sliding components allow the movement and avoid dust and dirt accumulation. Within the flooring bays frame created with the structural joints, a further surface subdivision with a suitable pattern of movement / expansion joints should be always provided for. See relevant indications on page 263.

INSTALLATION:

- Assemble the joint inserting the three horizontal components within the two lateral flanges.
- Align properly the expansion joint.
- Fasten the lateral flanges into the substrate with suitable fixing plugs (Each metre, i.e. one every 30 cm).
- Lay then the screed over the structural joint flanges and tile as normal.



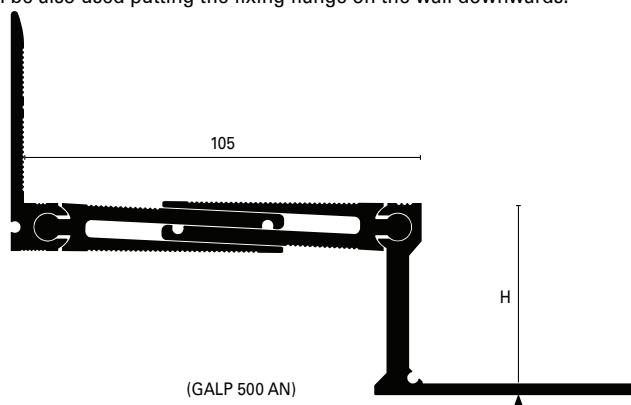
JOINTEC GALP-AN Aluminium width 105 mm - gap 95 mm

Extruded aluminium profile. Good mechanical and chemical resistance over time. For outdoor utilization the similar joint type Jointec GM in brass is advisable. Installation between floor and wall.



Sliding structural expansion joint entirely realised in aluminium. Designed to bear structural movements of large sized buildings or compounds of buildings. To be installed between floor and wall. They are installed over the spaces existing between two semi-detached parts of a building of smaller entity.

They can connect and close these inter-spaces adjusting themselves upwards, downwards and even transversally, according to the shrinkage-settlement movements of the whole building, either cyclic or permanent. It can be also used putting the fixing flange on the wall downwards.



| | H=mm | L=mm | Art. | | |
|------------------------------|------|------|------|-----|----|
| Material: Aluminium extruded | 20 | 105 | GALP | 200 | AN |
| | 50 | 105 | GALP | 500 | AN |
| | 70 | 105 | GALP | 700 | AN |
| Finish: Natural (AN) | | | | | |
| Length: 4,00 metres | | | | | |