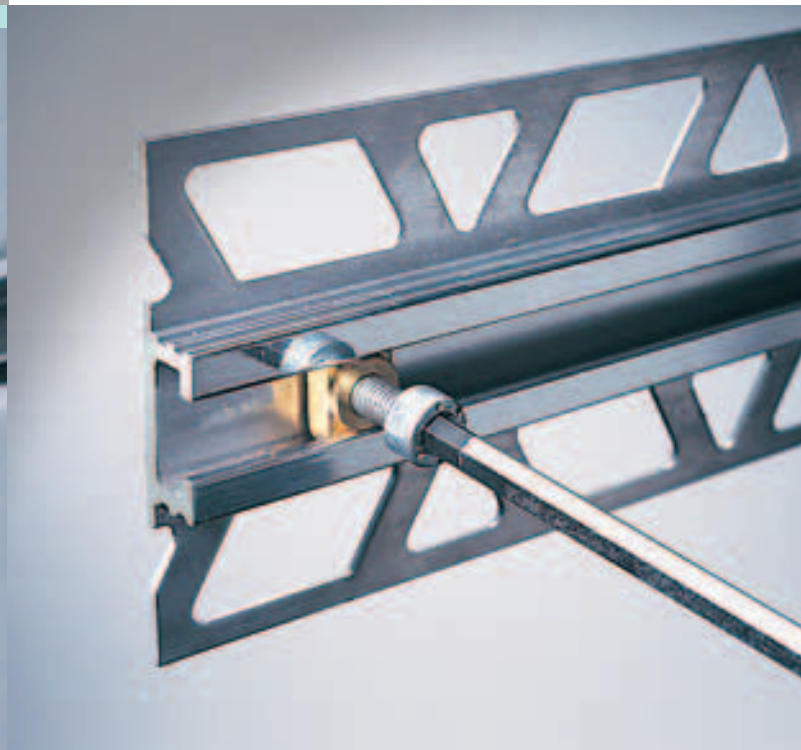
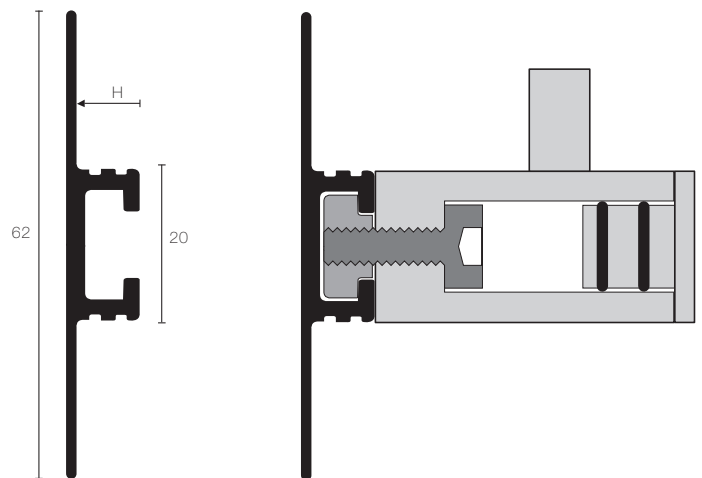


# SISTEMABINARIO™

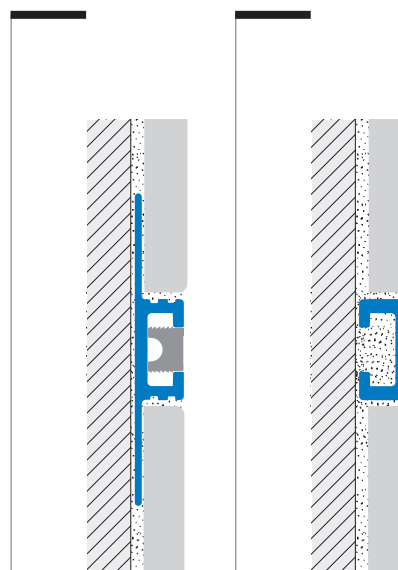


The system consists of a track double side flanged profile - to be imbedded between the mortar or adhesive layer and the covering material, mainly ceramics or marble but suitable also with melaminic panels or similar - and of a threaded cylinder nut, to be fit in the track profile with standard screws M5.

**SISTEMABINARIO** enables to fix all furnishing accessories without drilling the wall covering. The fixing nuts are easy to shift, sliding within the track, to add or eventually remove with no damage to the covering, thus changing the interior design and furnishings with great ease and flexibility.

Using the decorative listello BN 20\* you can complete the tiling pattern on the bathroom walls where the binario track with accessories is not installed.

Patent pending.



BN 80 A\*  
BN 100 A\*

BN 20 A\*

H =mm	Art.	Finish
8	BN 80 AS	Aluminium Silver
10	BN 100 AS	Aluminium Silver

H =mm	Art.	Finish
8	BN 80 ASB	Polished Al. Chrome
10	BN 100 ASB	Polished Al. Chrome

H =mm	Art.	Finish
20	BN 20 AS	Aluminium Silver
20	BN 20 ASB	Polished Al. Chrome

Art.	Description
BN 80 P51	Black listello
BN 80 P23	Grey listello